

Elevator door lock

品名: PB161客梯门锁
识别号: GLKS-G01
NAME: PB161
Passenger Door Lock
ITEM NO.: GLKS-G01



品名: 161A三菱货梯门锁
识别号: GLKS-G02
NAME: 161A
Mitsubishi Door Lock
ITEM NO.: GLKS-G02



品名: PB152门锁
识别号: GLKS-G03
NAME: PB152 Door Lock
ITEM NO.: GLKS-G03



品名: 广日门锁
识别号: GLKS-G04
NAME: Guangri Door Lock
ITEM NO.: GLKS-G04



品名: 西子奥的斯(东芝)门锁
识别号: GLKS-G05
NAME: XIZI OTIS (TOSHIBA) Door Lock
ITEM NO.: GLKS-G05



品名: 三菱富士达门锁
识别号: GLKS-G06
NAME: Fujitec Door Lock
ITEM NO.: GLKS-G06



品名: 上海现代门锁
识别号: GLKS-G07
NAME: Shanghai Hyundai Door Lock
ITEM NO.: GLKS-G07



品名: LG星玛门锁
识别号: GLKS-G08
NAME: LG Sigma Door Lock
ITEM NO.: GLKS-G08



品名: 关门力限制器
识别号: GLKS-G09
NAME: Limiter
ITEM NO.: GLKS-G09



品名: 双钩161门锁
识别号: GLKS-G11
NAME: 161 Door Lock (Two hooks)
ITEM NO.: GLKS-G11



品名: 展鹏门锁
识别号: GLKS-G13
NAME: Door Lock
ITEM NO.: GLKS-G13



品名: PB16D门锁
识别号: GLKS-G15
NAME: PB160 Door Lock
ITEM NO.: GLKS-G15



Elevator door lock

品名: PB307门锁(老款)
识别号: GLKS-G10
NAME: PB307 Door Lock (Old style)
ITEM NO.: GLKS-G10



品名: PB307门锁(新款)
识别号: GLKS-G12
NAME: PB307 Door Lock (New style)
ITEM NO.: GLKS-G12



品名: 上海永大日立门锁
识别号: GLKS-G14
NAME: Shanghai Yungtay Door Lock
ITEM NO.: GLKS-G14



品名: 迅达V03门锁
识别号: GLKS-G16
NAME: Schindler V03 Door Lock
ITEM NO.: GLKS-G16



Elevator oil can

品名: 圆油壶 (毛毡)
识别号: GLKS-I01
NAME: Oil Can
ITEM NO.: GLKS-I01



品名: 三菱大方油壶
识别号: GLKS-I02
NAME: Mitsubishi Oil Can
ITEM NO.: GLKS-I02



品名: 东芝大方油壶
识别号: GLKS-I03
NAME: TOSHIBA OIL CAN
ITEM NO.: GLKS-I03



品名: 广日方油壶
识别号: GLKS-I04
NAME: GuangRI Oil Can
ITEM NO.: GLKS-I04



品名: 小方油壶
识别号: GLKS-I05
NAME: OIL CAN
ITEM NO.: GLKS-I05



品名: 通力油壶
识别号: GLKS-I06
NAME: Kone Oil Can
ITEM NO.: GLKS-I06



品名: 苏迅油壶
识别号: GLKS-I07
NAME: Oil Can
ITEM NO.: GLKS-I07



品名: 圆集油壶
识别号: GLKS-I09
NAME: Oil Collector
ITEM NO.: GLKS-I09



品名: 帝森油壶
识别号: GLKS-I11
NAME: Thyssen Oil Can
ITEM NO.: GLKS-I11



Elevator oil can

品名: 方集油壶
识别号: GLKS-I08
NAME: Oil Can
ITEM NO.: GLKS-I08



品名: 圆油壶 (绵线)
识别号: GLKS-I10
NAME: Oil Can
ITEM NO.: GLKS-I10



品名: 帝森对重油壶
识别号: GLKS-I12
NAME: Thyssen CW Oil Can
ITEM NO.: GLKS-I12



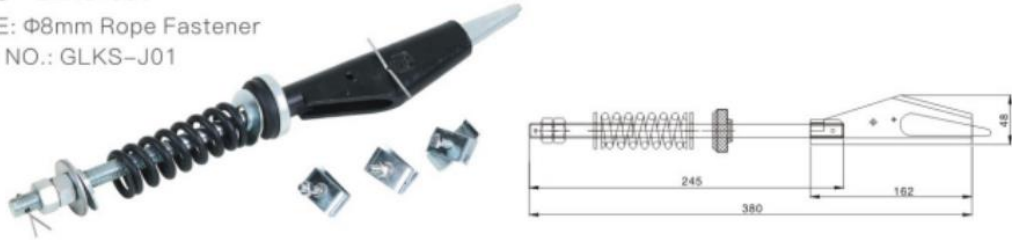
Elevator wire rope attachment

品名: $\Phi 8$ 绳头组合

识别号: GLKS-J01

NAME: $\Phi 8$ mm Rope Fastener

ITEM NO.: GLKS-J01



品名: $\Phi 10$ 绳头组合

识别号: GLKS-J02

NAME: $\Phi 10$ mm Rope Fastener

ITEM NO.: GLKS-J02



品名: $\Phi 11$ 绳头组合

识别号: GLKS-J03

NAME: $\Phi 11$ mm Rope Fastener

ITEM NO.: GLKS-J03



品名: $\Phi 12$ 绳头组合

识别号: GLKS-J04

NAME: $\Phi 12$ mm Rope Fastener

ITEM NO.: GLKS-J04

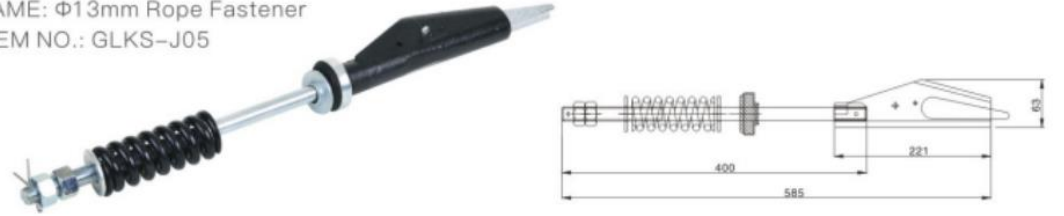


品名: $\Phi 13$ 绳头组合

识别号: GLKS-J05

NAME: $\Phi 13$ mm Rope Fastener

ITEM NO.: GLKS-J05



品名: 16绳头组合

识别号: GLKS-J06

NAME: $\Phi 16$ mm Rope Fastener

ITEM NO.: GLKS-J06



品名: 活动式绳头组合

识别号: GLKS-J07

NAME: Movable Rope Fastener

ITEM NO.: GLKS-J07



品名: 钢丝绳锁扣

识别号: GLKS-J08

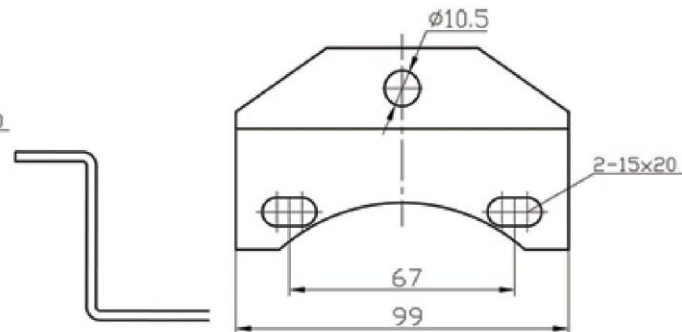
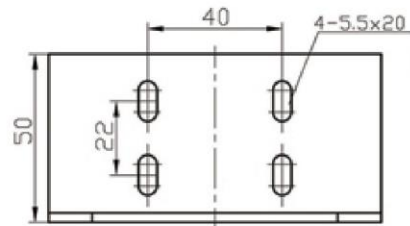
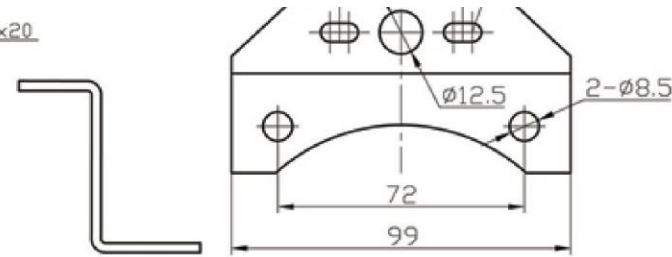
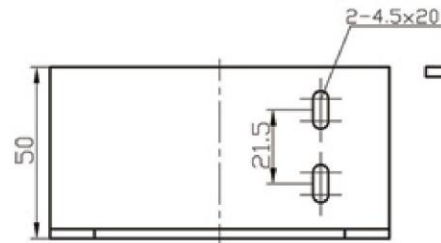
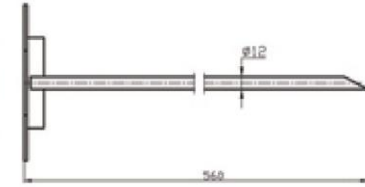
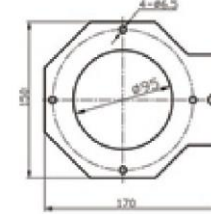
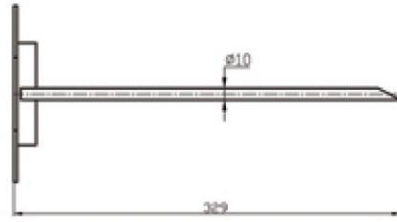
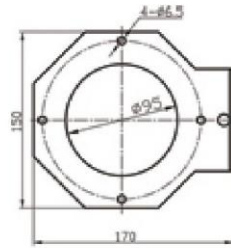
NAME: Wire Rope Lock

ITEM NO.: GLKS-J04

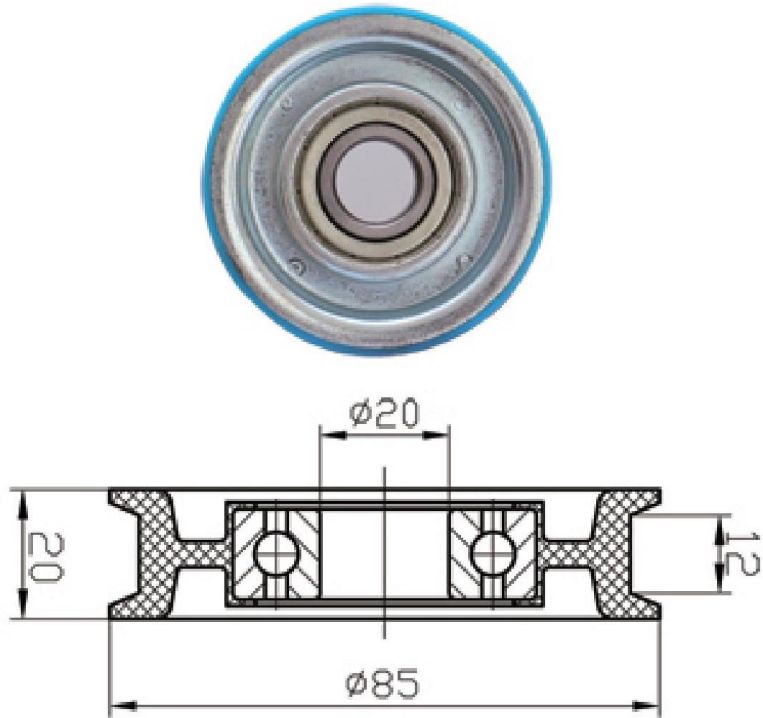


Elevator wire rope attachment

Mitsubishi hydraulic buffer bracket



OTIS elevator door slide roller



OTIS elevator door slide roller (Double-groove)

