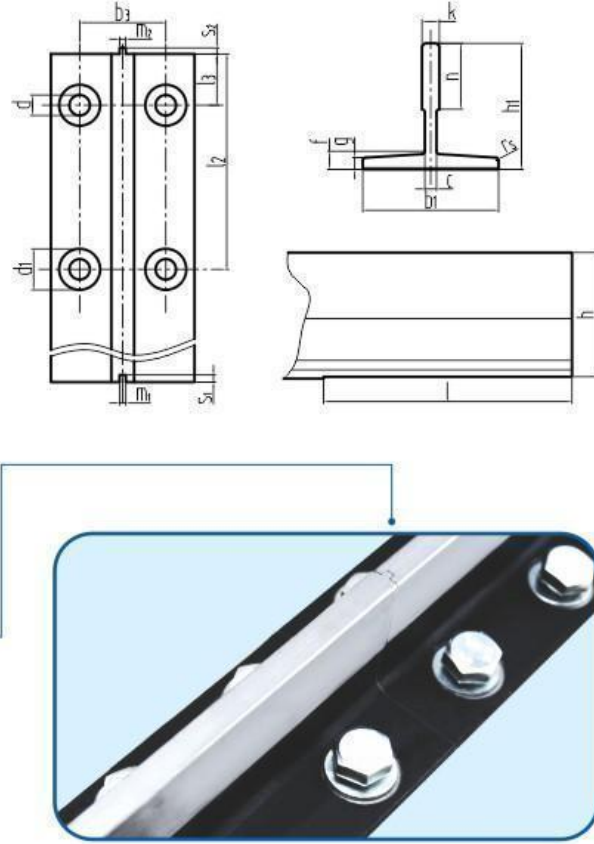


▶ 产品参数 ◀

PRODUCT SPECIFICATIONS

生产执行标准：JG/T—5072.3—1996
GB/T—22562—2008



高精度导轨 High Precision Guide Rail

型号	b1 (mm)	h1 (mm)	h (mm)	k (mm)	n (mm)	c (mm)	g (mm)	f (mm)	rs (mm)	m1 (mm)	m2 (mm)	s1 (mm)	s2 (mm)	l (mm)	d (mm)	d1 (mm)	b3 (mm)	l2 (mm)	l3 (mm)
T75-3/BE	75	62	61	10	30	8	7	9	3	3	2.95	3.5	3	123	13	26	43	90	30
T78/BE	78	56	55	10	26	7	6	8.5	3	3	2.95	3.5	3	123	13	26	43	90	30
T82/BE	82.5	68.25	66.6	9	25.4	7.5	6	8.25	3	3	2.95	3.5	3	111	13	26	50.8	81	27
T89/BE	89	62	61	15.88	33.4	10	7.9	11.1	3	6.4	6.37	7.14	6.35	156	13	26	57.2	114.3	38.1
T89-1/BE	89	62	61	15.88	33.4	10	7	10	3	3	2.95	4	3.5	156	13	26	57.2	114.3	38.1
T90/BE	90	75	74	16	42	10	8	10	4	6.4	6.37	7.14	6.35	156	13	26	57.2	114.3	38.1
T114/BE	114	88.9	88	15.88	38	9.5	7.9	11.1	4	6.4	2.95	7.14	6.35	156	17	33	79.4	114.3	38.1
T127-1/BE	127	88.9	88	15.88	44.5	10	7.9	11.1	4	6.4	6.37	7.14	6.35	156	17	33	79.4	114.3	38.1
T127-2/BE	127	88.9	88	15.88	50.8	10	12.7	15.9	5	6.4	6.37	7.14	6.35	156	17	33	79.4	114.3	38.1
T140-1/BE	140	108	107	19	50.8	12.7	12.7	15.9	5	6.4	6.37	7.14	6.35	193	21	40	92.1	152.4	31.8
T140-2/BE	140	102	101	28.6	50.8	17.5	14.5	17.5	5	6.4	6.37	7.14	6.35	193	21	40	92.1	152.4	31.8
T140-3/BE	140	127	126	31.75	57.2	19	14.5	25.4	5	6.4	6.37	7.14	6.35	193	21	40	92.1	152.4	31.8

Tolerances 公差

±1.5	±0.75	±0.05	$\frac{+0.05}{0}$	$\frac{+3}{0}$	±0.75	±0.75	$\frac{+0.03}{0}$	$\frac{+0}{-0.03}$	±0.1	±0.1	$\frac{+3}{0}$	±0.2	±0.2	±0.2
------	-------	-------	-------------------	----------------	-------	-------	-------------------	--------------------	------	------	----------------	------	------	------

机加工导轨 Machining Guide Rail

型号	b1 (mm)	h1 (mm)	h (mm)	k (mm)	n (mm)	c (mm)	g (mm)	f (mm)	rs (mm)	m1 (mm)	m2 (mm)	s1 (mm)	s2 (mm)	l (mm)	d (mm)	d1 (mm)	b3 (mm)	l2 (mm)	l3 (mm)
T70-1/B	70	65	64	9	34	6	6	8	1.5	3	2.95	3.5	3	128	13	26	42	105	25
T75-3/B	75	62	61	10	30	8	7	9	3	3	2.95	3.5	3	123	13	26	43	90	30
T78/B	78	56	55	10	26	7	6	8.5	3	3	2.95	3.5	3	123	13	26	43	90	30
T82/B	82.5	68.25	66.6	9	25.4	7.5	6	8.25	3	3	2.95	3.5	3	111	13	26	50.8	81	27
T82-3/B	82	62	61	15.88	30	8	6	8.5	2.5	3	2.95	3.5	3	156	13	26	50	114.3	38.1
T82-3/B	82	62	61	16	30	8	6	8.5	2.5	3	2.95	3.5	3	156	13	26	50	114.3	38.1
T89/B	89	62	61	15.88	34	10	7.9	11.1	3	6.4	6.37	7.14	6.35	156	13	26	57.2	114.3	38.1
T89-1/B	89	62	61	15.88	33.4	8	7	9	3	4	3.97	4.5	4	156	13	26	57.2	114.3	38.1
T90/B	90	75	74	16	42	10	8	10	4	6.4	6.37	7.14	6.35	156	13	26	57.2	114.3	38.1
T114/B	114	89	88	16	38	9.5	8	11	4	6.4	6.37	7.14	6.35	156	17	33	74	114.3	38.1
T127-1/B	127	89	88	15.88	45	10	8	11	4	6.4	6.37	7.14	6.35	156	17	33	79.4	114.3	38.1
T127-2/B	127	89	88	15.88	45	10	8	11	4	6.4	6.37	7.14	6.35	156	17	33	79.4	114.3	38.1
T140-1/B	140	108	107	19	51	12.7	12.7	15.9	5	6.4	6.37	7.14	6.35	193	21	40	92.1	152.4	31.8

Tolerances 公差

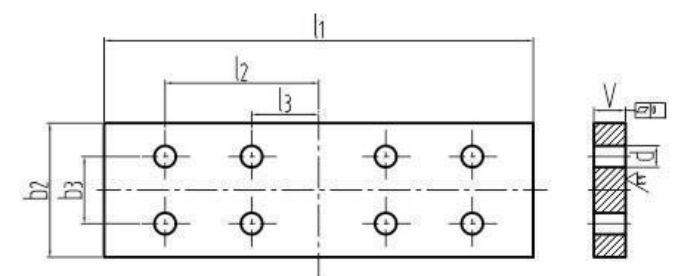
±1.5	±0.75	±0.1	±0.1	$\frac{+3}{0}$	±0.75	±0.75	$\frac{+0.06}{0}$	$\frac{+0}{-0.06}$	±0.1	±0.1	$\frac{+3}{0}$	±0.2	±0.2	±0.2
------	-------	------	------	----------------	-------	-------	-------------------	--------------------	------	------	----------------	------	------	------

导轨连接板 Fishplate

型号	Vmin (mm)	b2 (mm)	b3 (mm)	d (mm)	l1 (mm)	l2 (mm)	l3 (mm)
P45/A	8	50	25	9	160	65	15
P50/A	8	50	30	13	200	75	25
P70/A	10	70	42	13	250	105	25
P75/A	10	70	42	13	250	105	25
P75/B	10	70	42	13	250	105	25
P78/B	10	75	43	13	240	90	30
P82-3/B	13	82	50	13	305	114.3	38.1
P82/B	10	80	50.8	13	216	81	27
P89/B	13	90	57.2	13	305	114.3	38.1
P90/B	13	90	57.2	17	305	114.3	38.1
P114/B	18	120	70	17	305	114.3	38.1
P127/B	18	130	79.4	17	305	114.3	38.1
P140-1/B	28	140	92.1	21	380	152.4	31.8

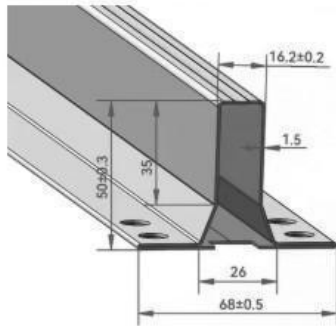
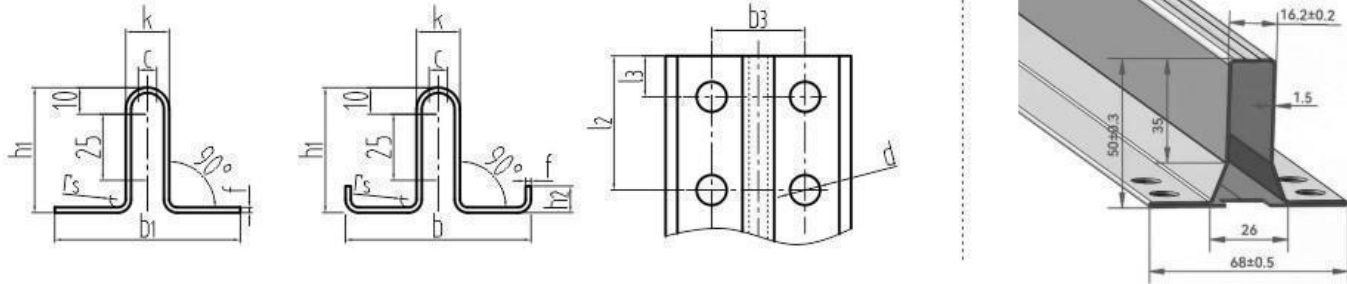
Tolerances 公差

±0.2	±0.2	±0.2	±0.2	±0.2
------	------	------	------	------



▶ 产品参数 ◀

PRODUCT SPECIFICATIONS



0LY50

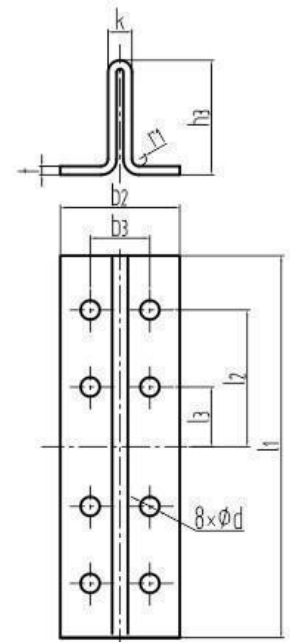
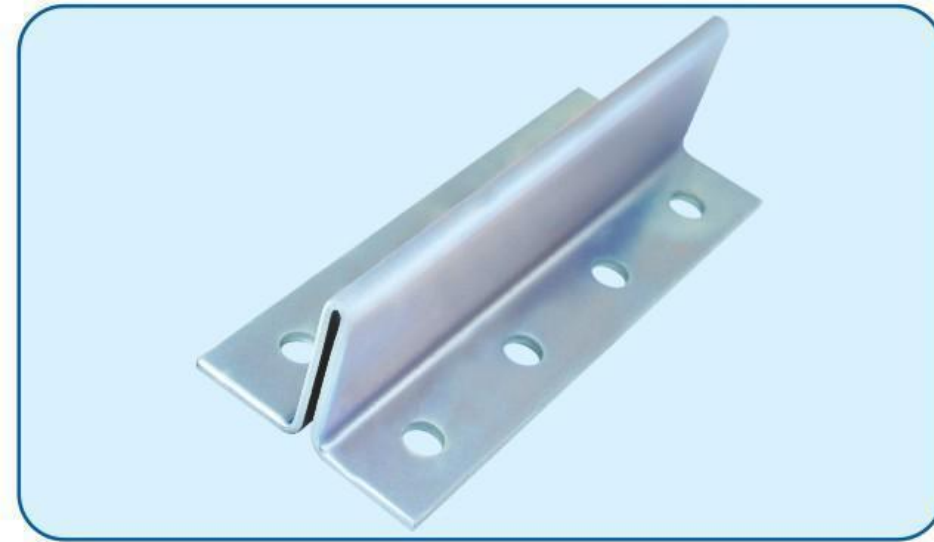


空心导轨 Hollow Guide Rail

型号	技术参数	b1 (mm)	h1 (mm)	h2 (mm)	k (mm)	c (mm)	f (mm)	rs (mm)	d (mm)	b3 (mm)	l2 (mm)	l3 (mm)
TK3		87	60		16.4	1.8	2	3	14	50	180	20
TK5		87	60		16.4	1.8	3	3	14	50	180	20
Tolerances 公差												
		±1	0		±0.4		+0.2			±0.5	±0.5	±0.3
TK3A		78	60	10	16.4	1.8	2.3	3	11.5	44	75	25
TK5A		78	60	10	16.4	1.8	2.75	3	11.5	44	75	25
Tolerances 公差												
		±1	0	±1	±0.4		+0.2			±0.5	±0.5	±0.3

Hollow Guide Rail Fishplate 空心导轨连接板

型号	技术参数	h3 (mm)	t (mm)	b2 (mm)	b3 (mm)	r1 (mm)	d (mm)	l1 (mm)	l2 (mm)	l3 (mm)	k (mm)
LK3		50	4.5	87	50	3	14	40	180	20	12
LK5		58	4.5	87	50	3	14	400	180	20	10
LK3A		58	4.5	78	44	3	11.5	200	75	25	10
LK5A		58	4.5	78	44	3	11.5	200	75	25	10
Tolerances 公差											
		±0.5						±1.5	±0.5	±0.3	±0.2



Mechanical Behavior

	Roughness	Straightness	Twist	Verticality	Parallelism	Symmetry
	Long Trasv	B/A	γ	α β	ρ	C-D
Cold Drawn Guide Rail	1.6-6.3	0.001	40' /m	10' 15'	0.15mm	+/-0.10mm
Machining Guide Rail	≤1.6	1.6-3.2	0.001	30' /m	5' 15'	0.1mm +/-0.10mm
High Precision Guide Rail	≤1.6	1.6-2.5	0.004	15' /m	5' 12'	0.05mm +/-0.05mm